

TM-403

MOLINO MASTERS



STANDARD FEATURES

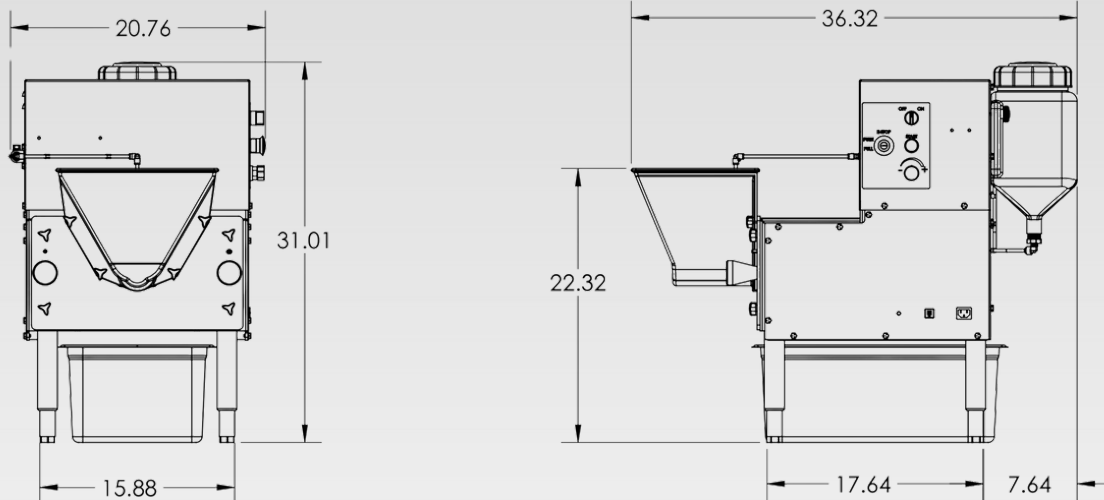
- ▶ Up to 140 lbs of nixtamal masa per hour
- ▶ NSF & UL listed
- ▶ Stainless steel construction
- ▶ Food grade 7" x 3" grinding discs
- ▶ Adjustable grind texture and speed
- ▶ Stainless steel auger drive
- ▶ 2 gallon capacity hopper
- ▶ 2.5 gallon water tank and manual water valve
- ▶ Simple "no tools required" fasteners
- ▶ Easy-to-remove components for daily cleaning
- ▶ 1 hp gearmotor. No belts or pulleys
- ▶ Interlock grinding chamber guard for operator safety
- ▶ Thermal overload protection
- ▶ Catch bin included
- ▶ Volcanic stones compatible



TM-403 CORN GRINDER



PLAN VIEW



TECHNICAL DATA

All dimensions in inches

Dimensions

External dimensions (in)	L: 36" W: 21" H: 31"
Net weight	163 lbs
Power cord length	6 ft

Electrical data

Motor	1 HP
Volts / Frequency	120 Vac / 60 Hz
Amps	9
Watts	800
Phase	Single
Type of plug (NEMA)	5-15P