

# VENTURA FLEX TABLETOP CORN TORTILLA MACHINE

*This machine's specialty is to produce a perfect corn tortilla ready to cook.*



## Standard Features

- Production: 840 raw tortillas p/h
- NSF & ETL
- Stainless steel construction
- Food grade plastic rollers
- Interlocked covers & doors
- Motor sealed for life
- Thermal overload protection
- TC16 Tortilla Cutter included

## Technical Data

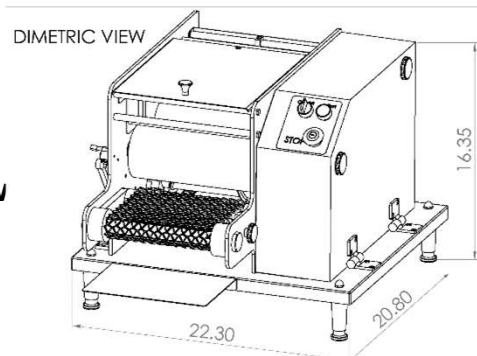
Power (Amps)	2
Voltage	115
Height	18"
Width	24"
Depth	23"
Weight	128 #
Cord Length	6'

## Description

The Ventura Flex is a gear driven Tabletop Corn Tortilla machine which specialty is to produce perfect corn tortillas ready to cook at your restaurant kitchen.

With its stainless steel construction combined with high quality components, it will enhance tortilla production at your restaurant. Food Grade plastic rollers and a 6" tortilla cutter are included.

The Ventura Flex has a 115v single phase electrical rating.



Plan View